



Compact design for easy installation. Axially split casing, cartridge bearing units, and mechanical seals provide for easy maintenance.



Specifications

- Horizontal Split Case centrifugal pump with double entry impeller
- Maximum working pressure: 16 bar
- Liquid temperature: up to 100 °C
- JIS 16 K RF flanges

Materials

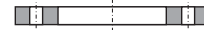
- Pump casing: FC250 Cast Iron
- Impeller: BC6 Bronze
- Shaft: 316 Stainless Steel
- Mechanical seals: Carbon/Ceramic/NBR
- Bearings: Sealed cartridge type bearing units.

Range

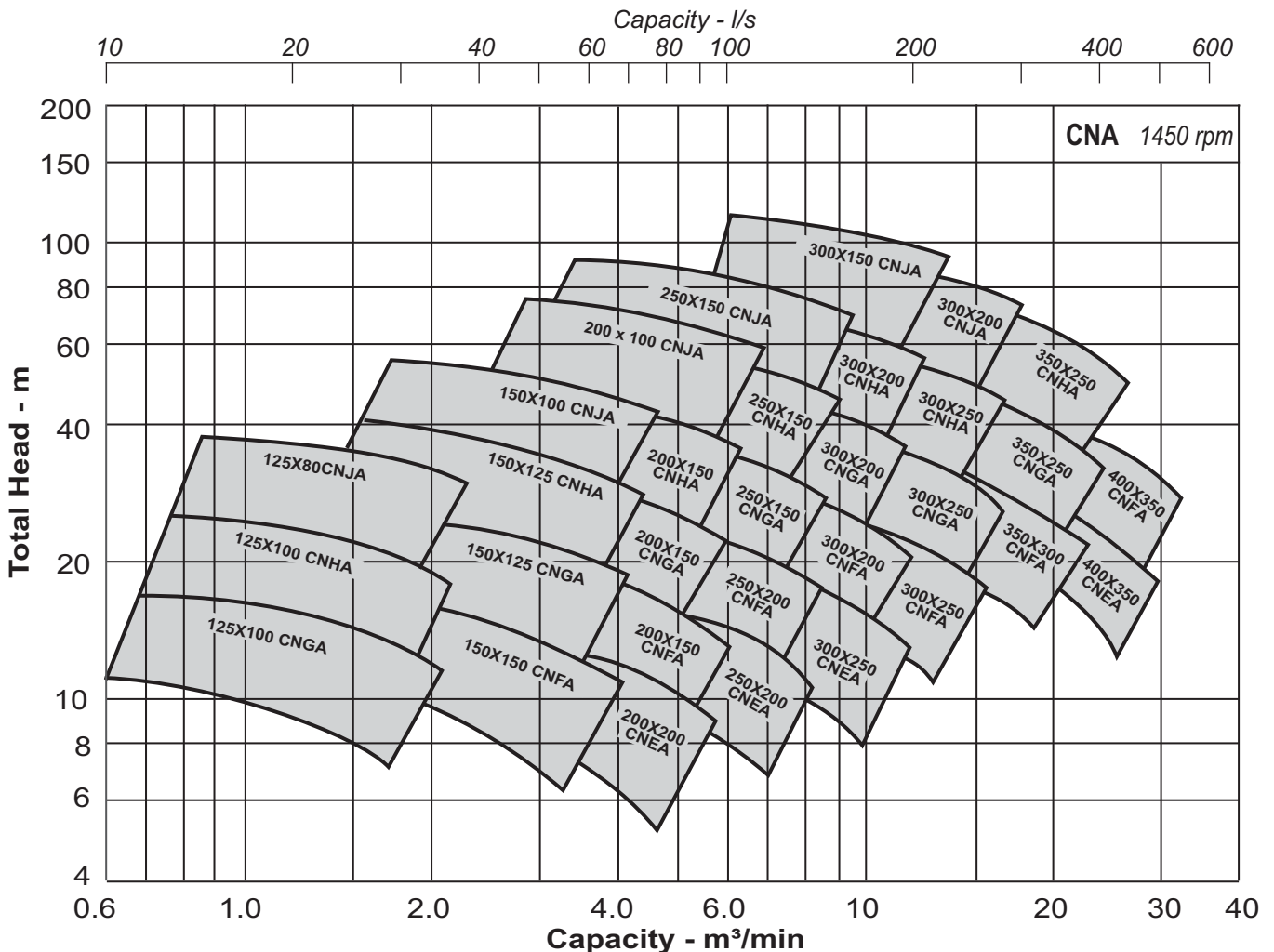
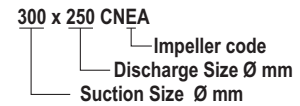
- 80 to 350 mm Ø discharge
- 100 to 400 mm Ø suction
- 5.5 to 300 kW

Optional accessory

- Slip on companion flanges (steel - 400 Mpa structural steel)
(JIS 16 K drilling - bore to suit schedule 40 pipe)

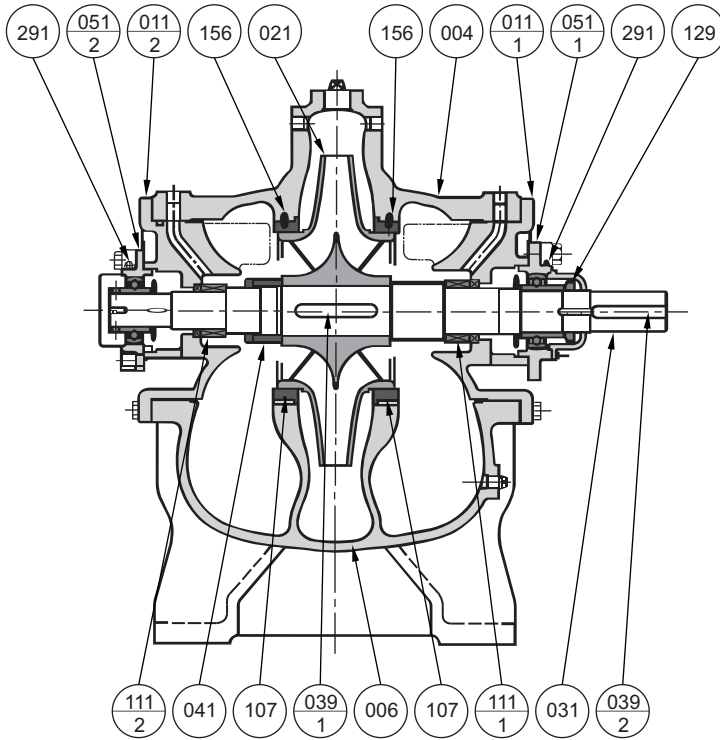


Model Code



Construction

Model **CNA**

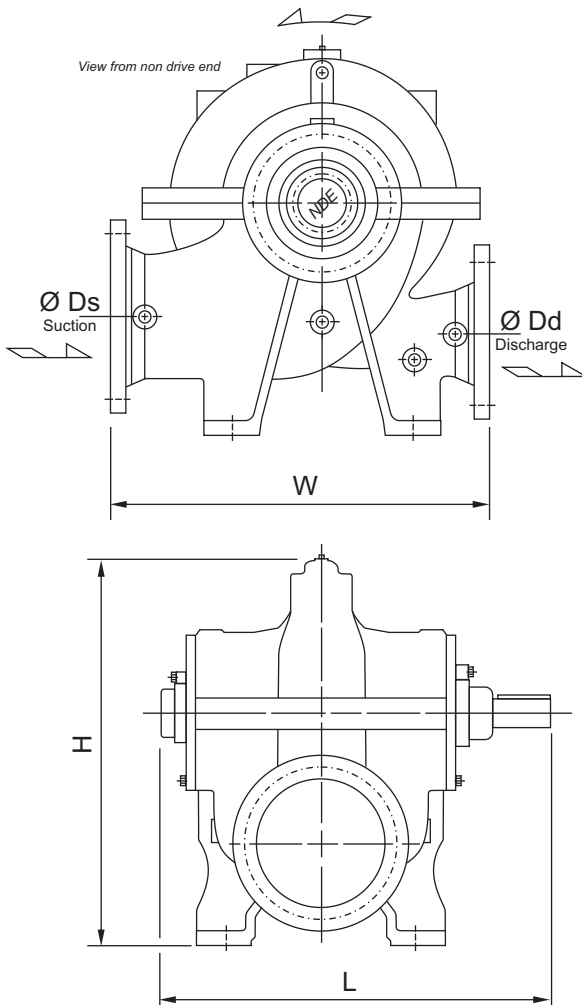


No.	Description	Material	Qty.
004	Casing - upper half	Cast Iron - FC250	1
006	Casing - lower half	Cast Iron - FC250	1
011-1	Side cover	Cast Iron - FC250	1
011-2	Side cover	Cast Iron - FC250	1
021	Impeller	Bronze - BC6	1
031	Shaft	316 Stainless Steel	1
039-1	Impeller key	316 Stainless Steel	1
039-2	Coupling key	Steel - S50C	1
041	Impeller nut	Bronze - BC6	1
051-1	Bearing unit	Cast Iron - FC200	1
051-2	Bearing unit	Cast Iron - FC200	1
107	Casing wear ring	Bronze - BC6	2
111-1	Mechanical seal	Carbon/Ceramic/NBR	1
111-2	Mechanical seal	Carbon/Ceramic/NBR	1
129	Bearing nut	Steel - SS400	1
156	Lock pin	304 Stainless Steel	2
291	Grease nipple	-	2

Dimensions

Model **CNA**

Units: mm unless otherwise specified



ØDs x ØDd Model	H	W	L	Max. Dia. Impeller	Power*	Weight
125 x 100 CNGA	476	540	581	218 mm	5.5 kW	209 kg
125 x 100 CNHA	490	550	581	265 mm	9.5 kW	242 kg
125 x 80 CNJA	521	580	581	327 mm	18.5 kW	250 kg
150 x 150 CNFA	560	620	632	227 mm	9.5 kW	253 kg
150 x 125 CNGA	579	590	666	274 mm	17.0 kW	275 kg
150 x 125 CNHA	598	630	632	333 mm	28.5 kW	270 kg
150 x 100 CNJA	659	670	666	397 mm	42.5 kW	330 kg
200 x 200 CNEA	598	655	633	218 mm	10.0 kW	270 kg
200 x 150 CNFA	599	640	633	254 mm	16.5 kW	280 kg
200 x 150 CNGA	620	640	633	307 mm	28.5 kW	310 kg
200 x 150 CNHA	658	670	677	373 mm	48.5 kW	355 kg
200 x 100 CNJA	754	755	755	461 mm	88.5 kW	445 kg
250 x 200 CNEA	668	710	668	244 mm	18.5 kW	360 kg
250 x 200 CNFA	672	710	677	285 mm	31.0 kW	380 kg
250 x 150 CNGA	721	710	677	344 mm	49.0 kW	415 kg
250 x 150 CNHA	744	755	765	418 mm	92.5 kW	500 kg
250 x 150 CNJA	841	825	850	517 mm	149.0 kW	605 kg
300 x 250 CNEA	749	800	717	274 mm	31.5 kW	435 kg
300 x 200 CNFA	755	800	765	320 mm	50.5 kW	490 kg
300 x 200 CNGA	795	800	785	386 mm	84.5 kW	520 kg
300 x 200 CNHA	827	830	850	469 mm	147.5 kW	625 kg
300 x 150 CNJA	884	925	912	580 mm	278.0 kW	785 kg
300 x 250 CNFA	801	900	805	308 mm	55.0 kW	570 kg
300 x 250 CNGA	808	900	860	359 mm	87.0 kW	620 kg
300 x 250 CNHA	857	900	860	433 mm	139.0 kW	615 kg
300 x 200 CNJA	879	940	912	526 mm	268.0 kW	860 kg
350 x 300 CNFA	945	1010	916	345 mm	96.5 kW	800 kg
350 x 250 CNGA	950	1010	916	403 mm	159.0 kW	790 kg
350 x 250 CNHA	973	1000	974	486 mm	297.0 kW	845 kg
400 x 350 CNEA	985	1040	1051	325 mm	114.0 kW	1030 kg
400 x 350 CNFA	1015	1135	1024	388 mm	170.0 kW	1035 kg

Power* - Max. power absorbed at EOC with max. dia. impeller at 1450 RPM; SG = 1.0; Vis. = 1.0 cSt

Specifications subject to change without notice