

E3 Plastic 3" Bolted Plastic Pump



SPECIFICATIONS

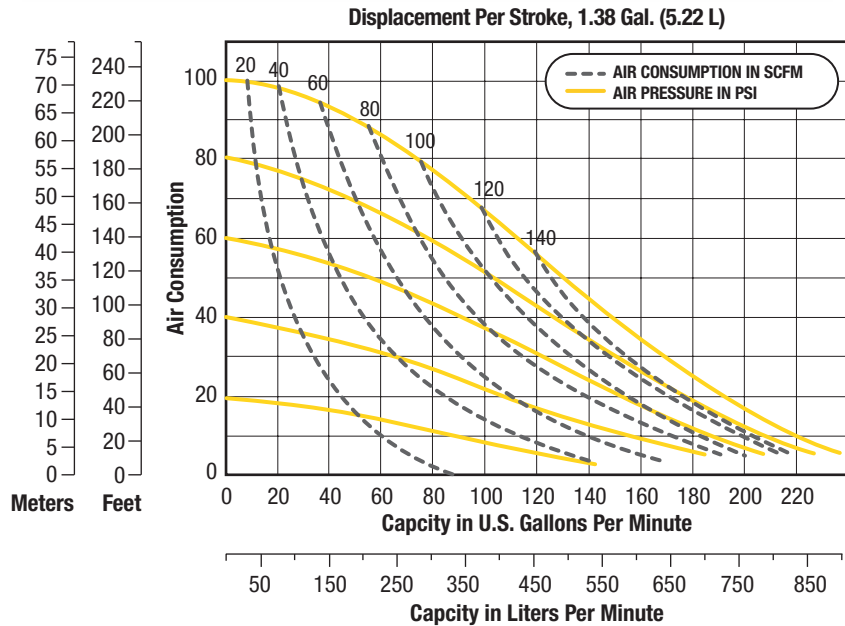
E3P

| | English | Metric |
|---------------------------|-----------------------------|-----------------|
| Flow rate | | |
| adjustable to | 0-238 gpm | 0-901 lpm |
| Port size | | |
| Inlet and Outlet | 3" ANSI or DIN 80 Flange | |
| Air inlet | 0.75" NPTF | 19.05 mm |
| Air exhaust | 1" NPTF | |
| Suction lift* | | |
| Dry (Teflon®) | 20' (10') | 6.10 m (3.05 m) |
| Wet (Teflon®) | 25' (20') | 7.62 m (6.10 m) |
| Max. particle size | | |
| Diameter | 0.71" | 18 mm |
| Shipping weight | | |
| Polypropylene | 231 lbs | 105 kg |
| PVDF | 315 lbs | 143 kg |

Teflon® is a registered trademark of DuPont.

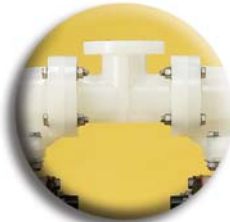
PERFORMANCE

E3P



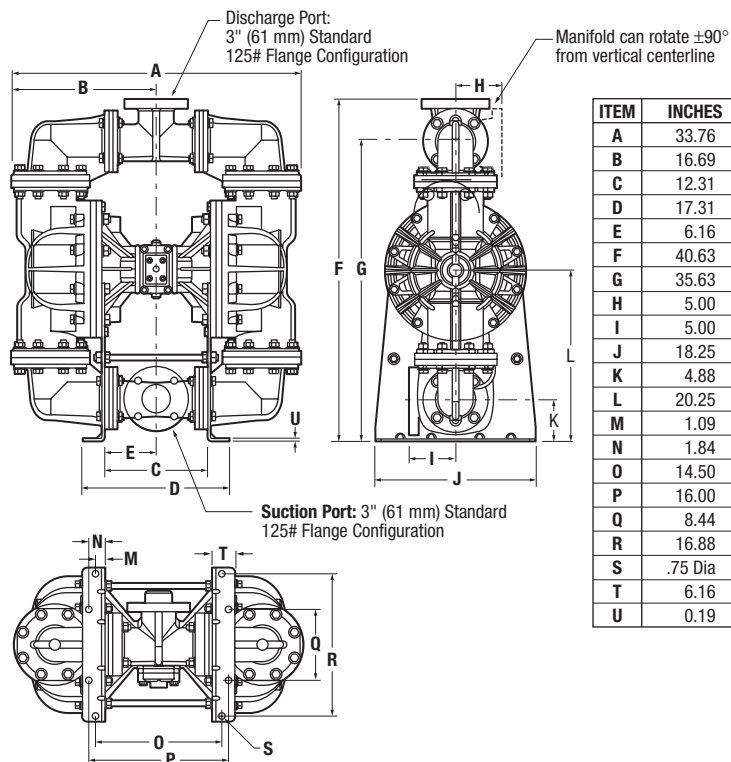
* For E3P pumps fitted with Teflon® diaphragms, reduce water discharge figures by 20%.
Suction lift is reduced to 10' (3.05 m) dry and 20' (6.10 m) wet.

- **Transfers acids and caustic solutions safely**
- **Leak-free bolted design** for a greater positive seal
- **Adjustable manifolds** for horizontal or vertical system configurations
- **Epoxy-coated air section** and stand to prevent environmental attack
- **Non-stalling, non-icing, lube-free** air valve system
- **Spill containment model** available



DIMENSIONS

E3P



| ITEM | INCHES | METRIC MM |
|------|---------|-----------|
| A | 33.76 | 846 |
| B | 16.69 | 423 |
| C | 12.31 | 313 |
| D | 17.31 | 440 |
| E | 6.16 | 156 |
| F | 40.63 | 1032 |
| G | 35.63 | 905 |
| H | 5.00 | 127 |
| I | 5.00 | 127 |
| J | 18.25 | 464 |
| K | 4.88 | 124 |
| L | 20.25 | 514 |
| M | 1.09 | 28 |
| N | 1.84 | 47 |
| O | 14.50 | 368 |
| P | 16.00 | 406 |
| Q | 8.44 | 214 |
| R | 16.88 | 429 |
| S | .75 Dia | 19 Dia |
| T | 6.16 | 156 |
| U | 0.19 | 5 |